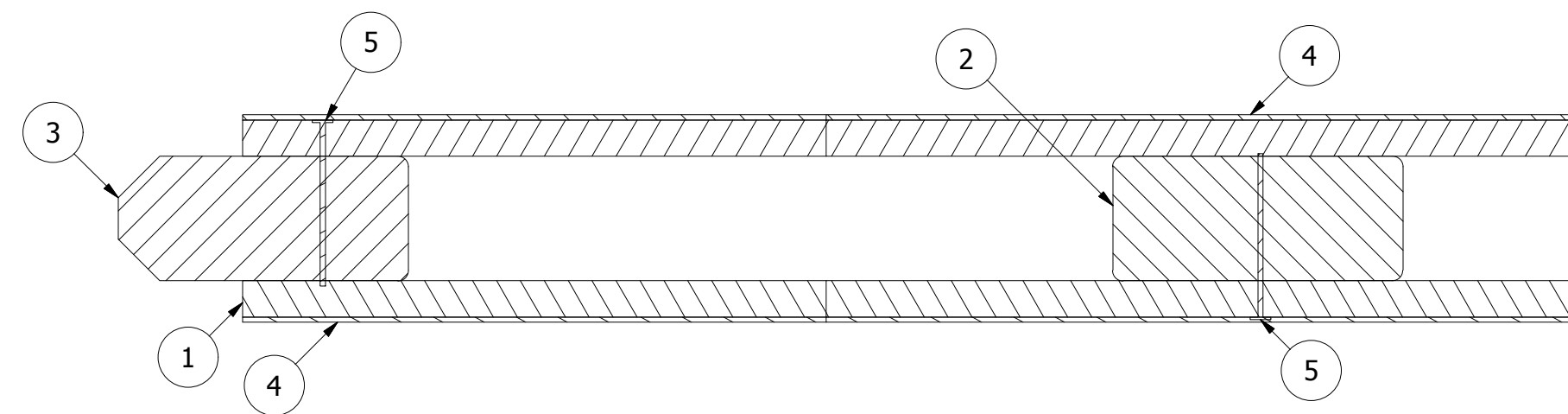
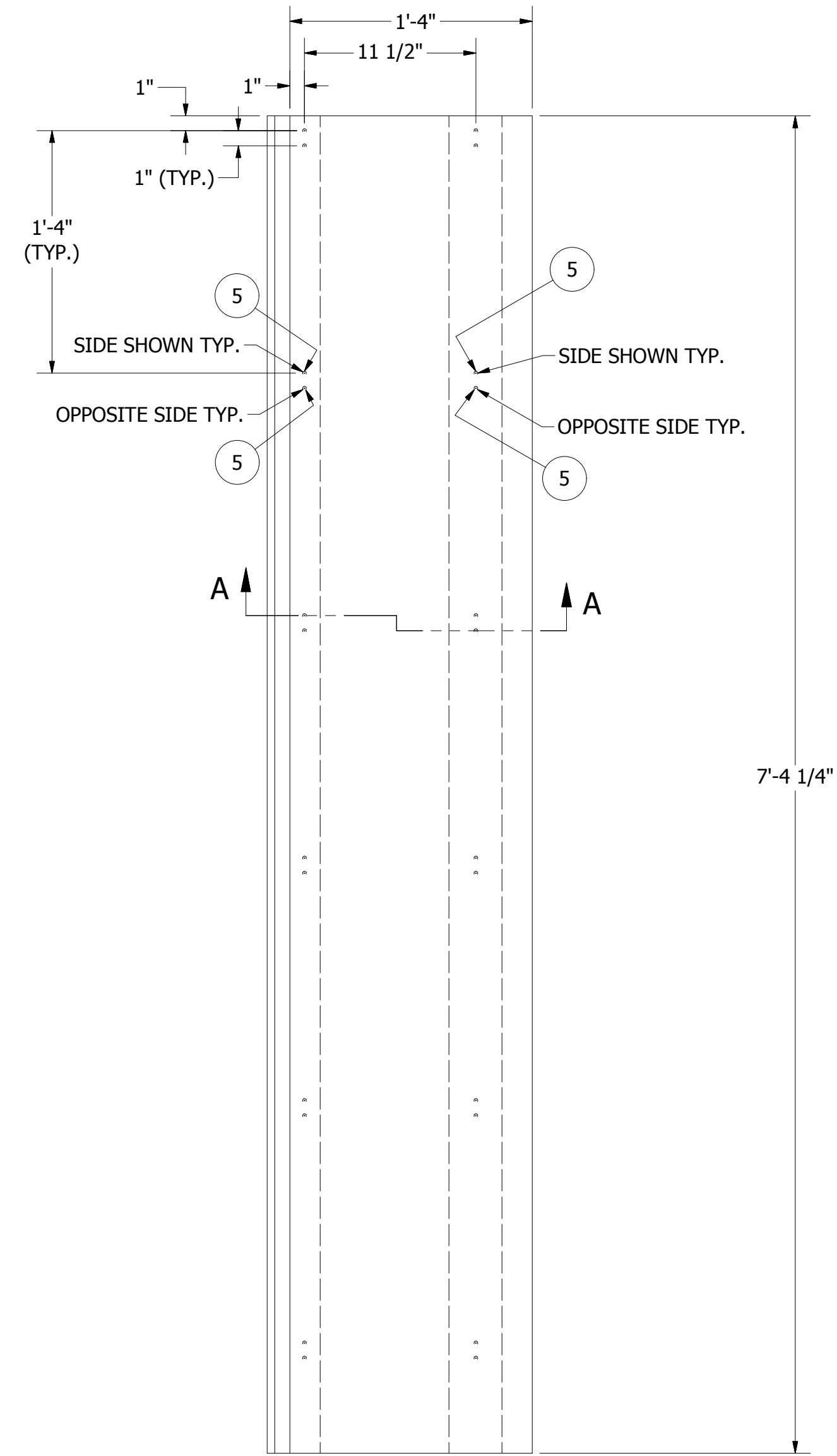
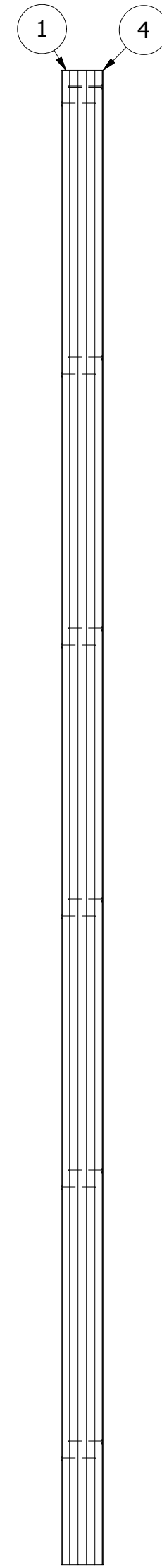
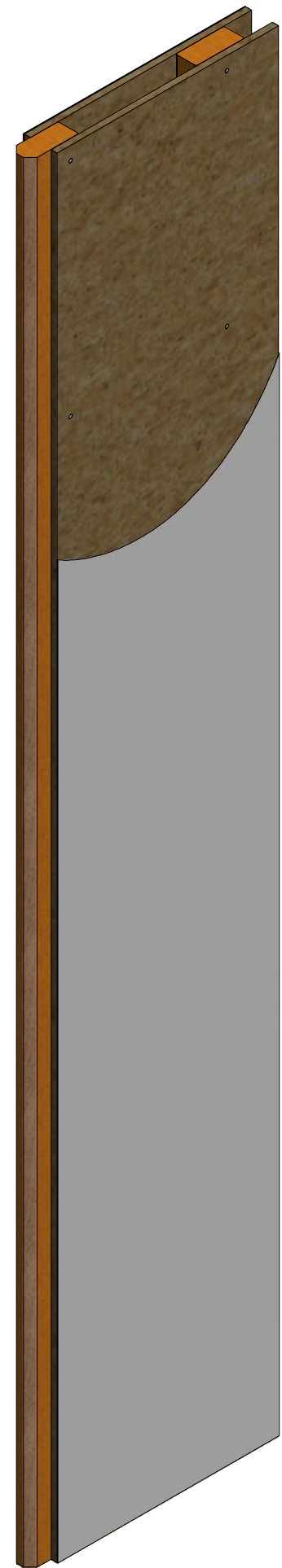
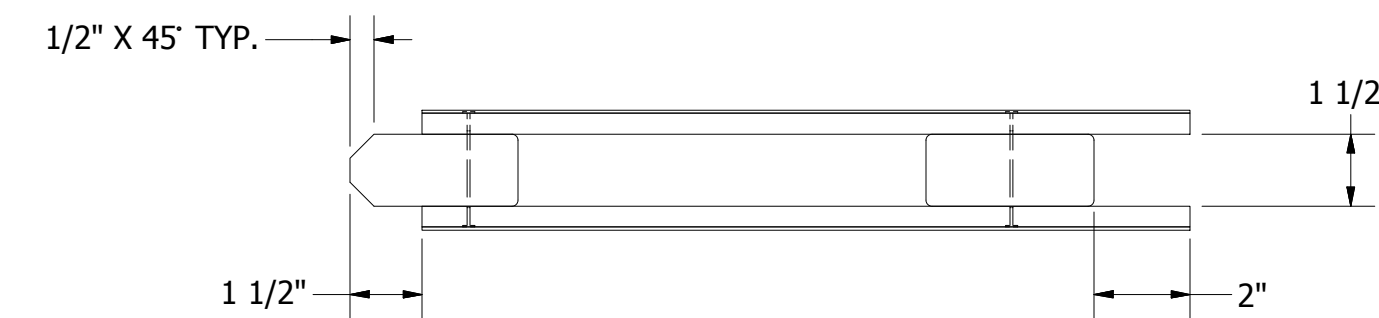


REVISION HISTORY				
REV	DESCRIPTION	DATE	BY	CHECKED
0	ISSUED FOR REVIEW	9/15/2015	TGO	MLC



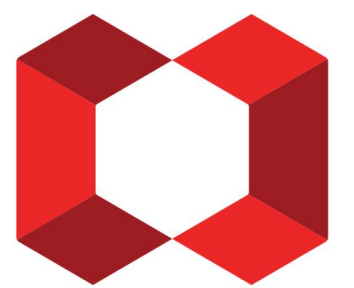
SECTION A-A



**INTERIOR WALL SECTIONS
16" X 88 1/4"**

PARTS LIST 16" WALL				
ITEM	QTY	DESCRIPTION	LENGTH	WIDTH
1	2	1/2" OSB	88 1/4 in	16 in
2	1	2" X 4" PINE	88 1/4 in	3 1/2 in
3	1	2" X 4" PINE	88 1/4 in	3 1/2 in
4	2	FRP .09" THICK	88 1/4 in	16 in
5	24	NAIL, 8d, GALVANIZED	2 in	

THE INFORMATION CONTAINED HEREIN IS PROPRIETARY TO REDGUARD, LLC AND SHALL NOT BE REPRODUCED OR DISCLOSED IN WHOLE OR IN PART OR USED FOR ANY PURPOSE EXCEPT WHEN SUCH USER POSSESSES DIRECT WRITTEN AUTHORIZATION FROM REDGUARD, LLC



REDGUARD

401 W. 47th St. S.
WICHITA, KS 67217

PH: 855.733.4827
FAX: 316.440.1800
www.redguard.com

REDGUARD

16" & 24" SECTIONS

WALL SECTIONS

CP# LEASE

PROJECT MANAGER:

DRAWN BY: TGO

DATE: 9/15/2015

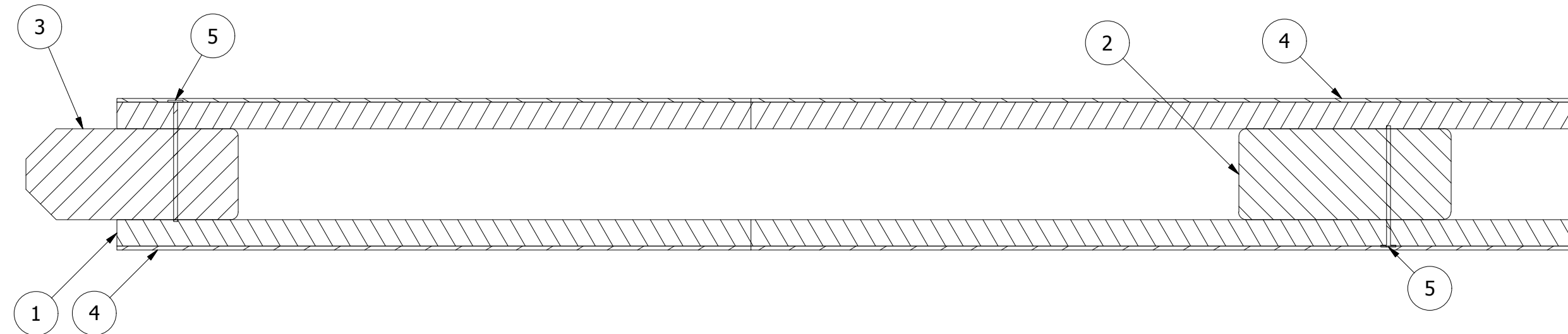
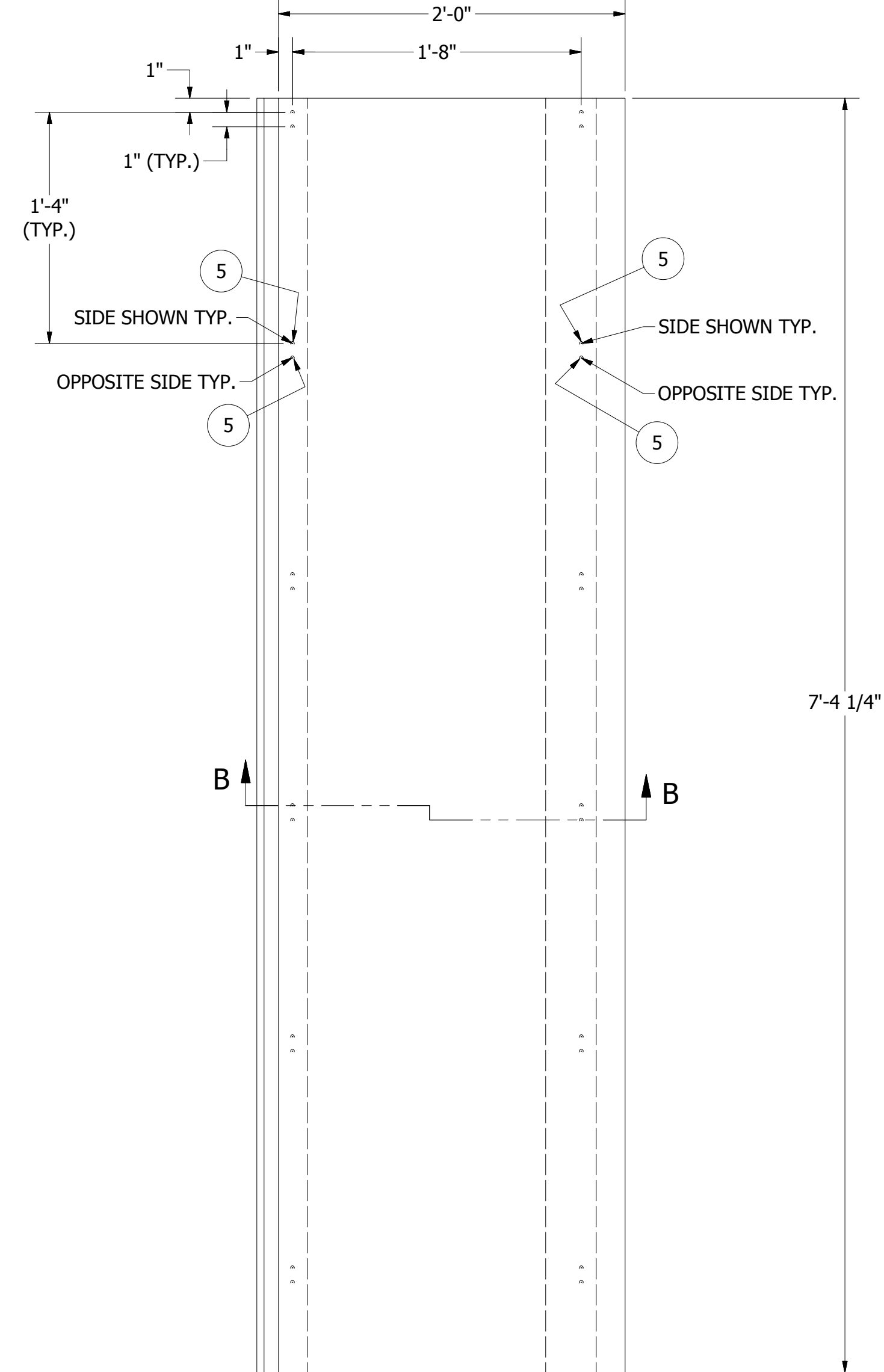
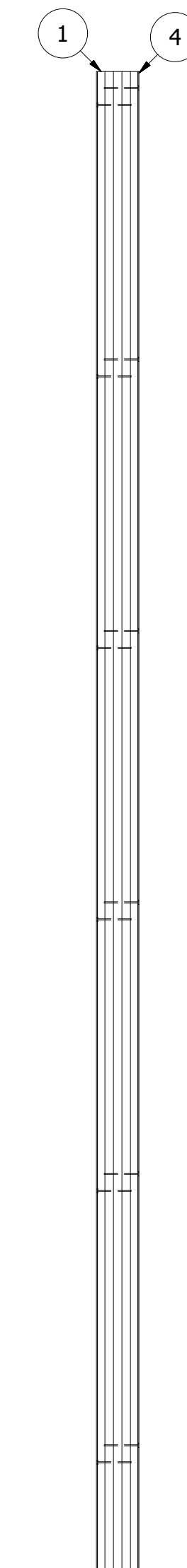
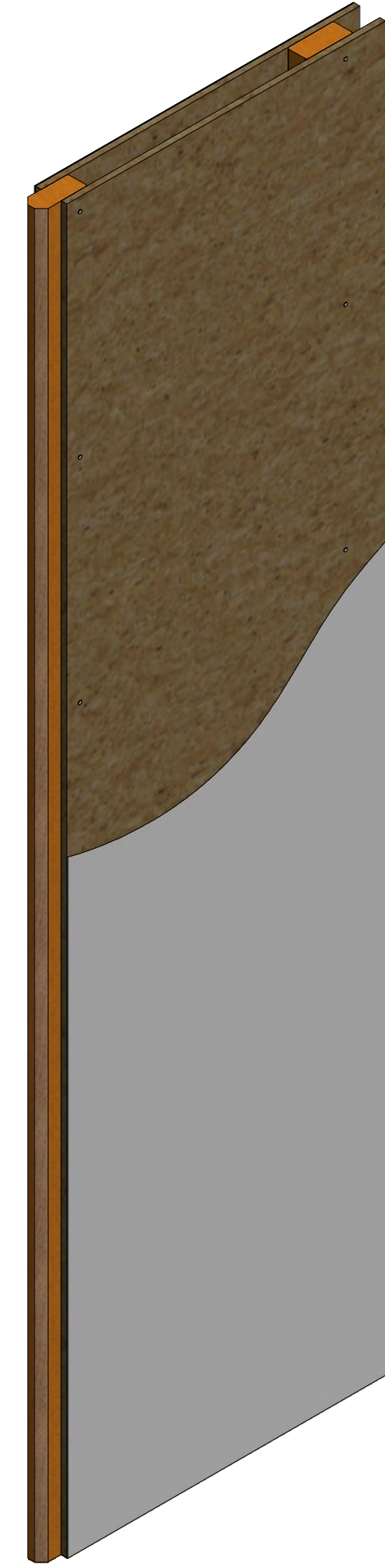
FILE: FAST WALLS.idw

SCALE:

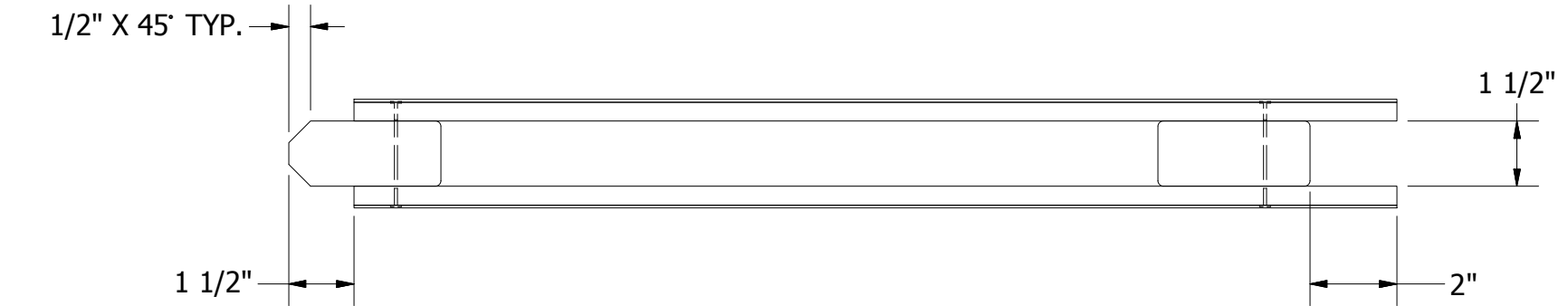
REVISION: 0

SHEET 1 OF 2

REVISION HISTORY				
REV	DESCRIPTION	DATE	BY	CHECKED
0	ISSUED FOR REVIEW	9/15/2015	TGO	MLC



SECTION B-B



**FAST WALL SECTIONS
24" X 88 1/4"**

PARTS LIST 24" WALL				
ITEM	QTY	DESCRIPTION	LENGTH	WIDTH
1	2	1/2" OSB	88 1/4 in	24 in
2	1	2" X 4" PINE	88 1/4 in	3 1/2 in
3	1	2" X 4" PINE	88 1/4 in	3 1/2 in
4	2	FRP .09" THICK	88 1/4 in	24 in
5	24	NAIL, 8d, GALVANIZED	2 in	

THE INFORMATION CONTAINED HEREIN IS PROPRIETARY TO REDGUARD, LLC AND SHALL NOT BE REPRODUCED OR DISCLOSED IN WHOLE OR IN PART OR USED FOR ANY PURPOSE EXCEPT WHEN SUCH USER POSSESSES DIRECT WRITTEN AUTHORIZATION FROM REDGUARD, LLC



401 W. 47th St. S.
WICHITA, KS 67217
PH: 855.733.4827
FAX: 316.440.1800
www.redguard.com

REDGUARD
16" & 24" SECTIONS
FAST WALLS
CP# LEASE

PROJECT MANAGER:
DRAWN BY: TGO
DATE: 9/15/2015
FILE: FAST WALLS.idw
SCALE:
REVISION: 0
SHEET 2 OF 2